



Wireless Remote Control **Installation and Operation Guide**

Installation

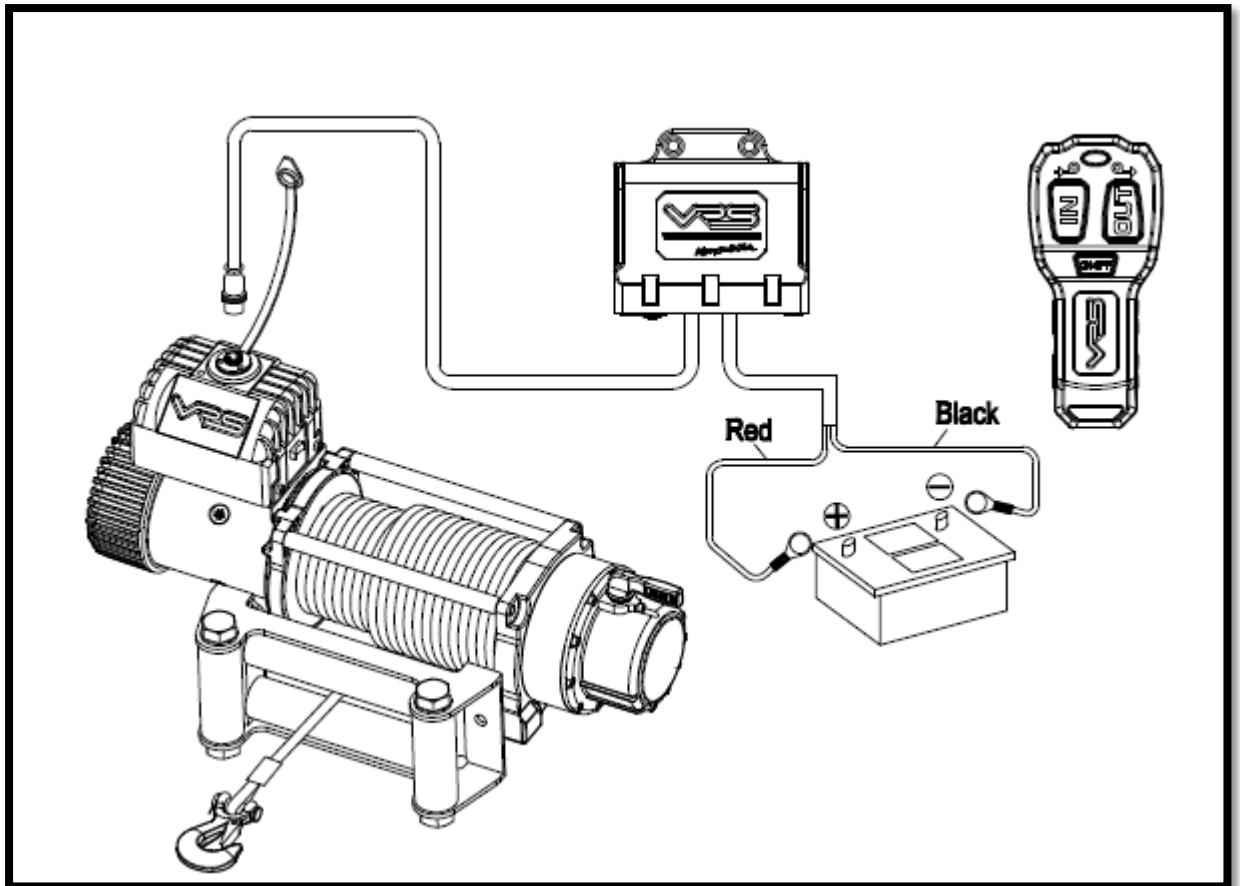
Receiver should be mounted in a clear dry location. Avoid fitting in areas where the receiver could be affected by direct engine heat.

Wiring Connections

Connect receiver lead socket directly into the winch control pack plug.

Connect red positive wire from receiver to positive (+) terminal on vehicle battery.

Connect black negative wire from receiver to negative (-) terminal on vehicle battery



Operation

To start, press and hold ON/OFF button on the transmitter for 5 seconds.

Blinking red LED light indicates that the transmitter is active.

Press the “IN” or “OUT” and the red LED will rapidly flash indicating that the winch is in operation.

To stop, press the ON/OFF button for 5 seconds.

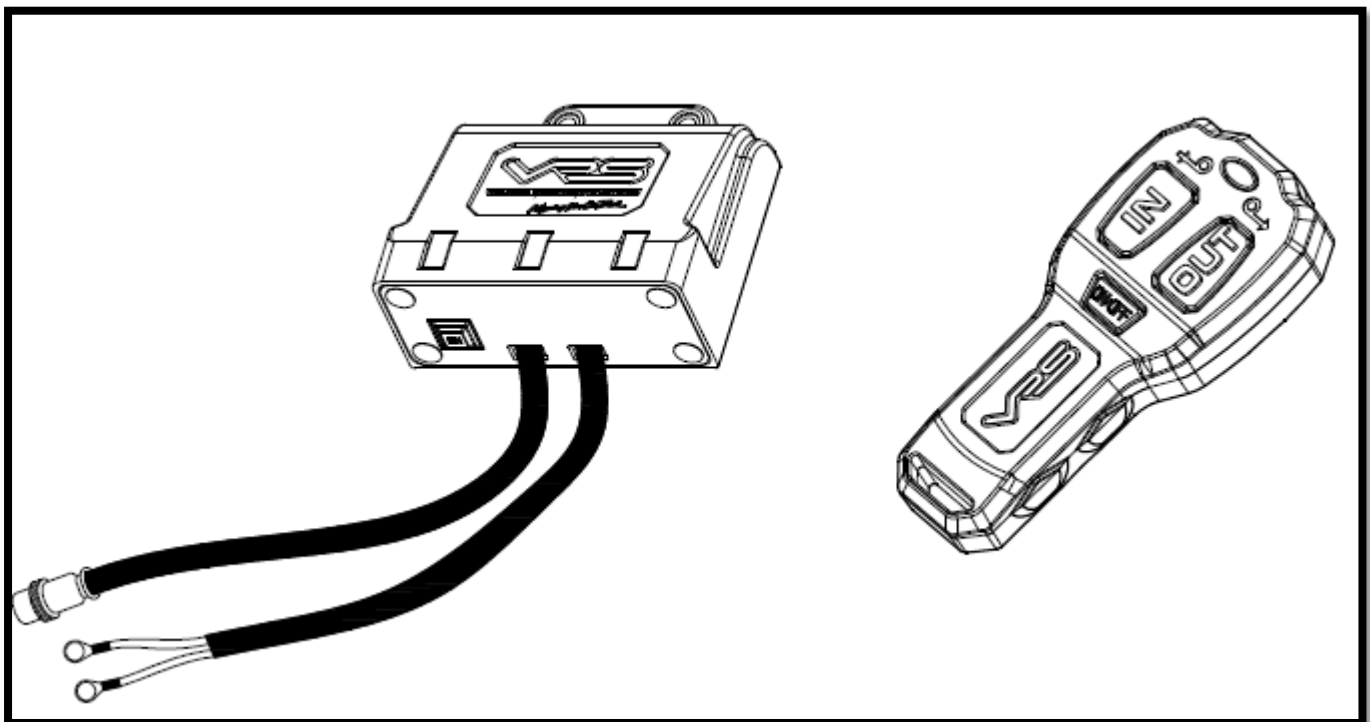
The system will shut down automatically in 3 minutes if there has been no winching activity.

Reset Learning Function

If the transmitter needs to be replaced, please carryout the following steps to match the new transmitter, to the receiver.

Step 1.

Press the button on the back of the receiver



Step 2.

Press the ON/OFF button until the transmitter LED is active.

Step 3.

Press both “IN” and “OUT” buttons together for **5 seconds**, the reset matching function is now completed.

Battery Replacement

Step 1.

Remove the seven screws from the wireless transmitter.

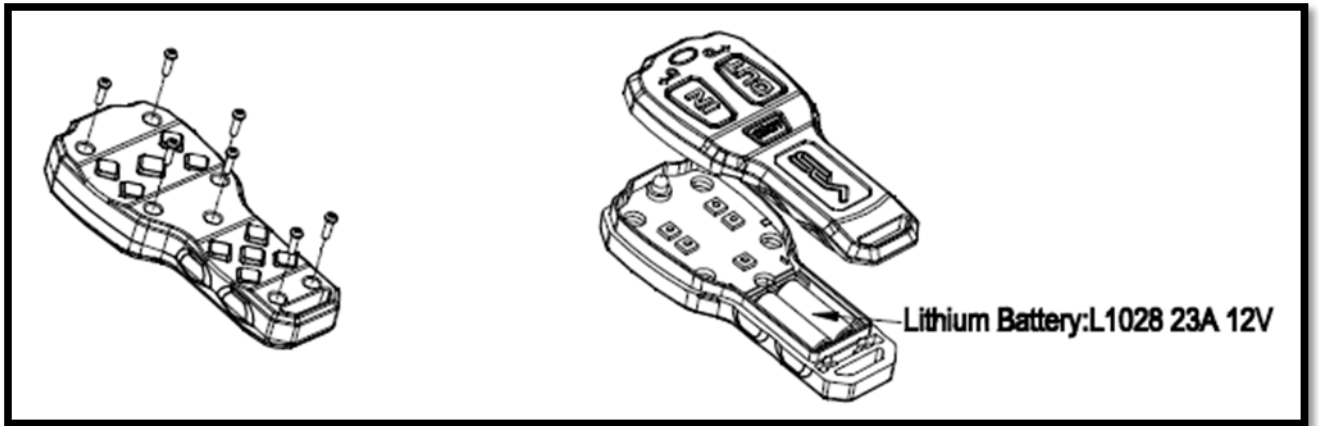
Step 2.

Separate the two sections and remove the old batteries.

Step 3 .

Insert new batteries.

Re join both sections ensuring alignment is correct and the seven screws are tight.



For more information on VRS winch and accessory products please visit,

www.vrswinch.com.au